



MOTORCYCLE WHEEL CHOCKS

MODEL NO'S: **WC06.V2, WC07.V2, WC08.V2**

Thank you for purchasing a Sealey product. Manufactured to a high standard, this product will, if used according to these instructions, and properly maintained, give you years of trouble free performance.

IMPORTANT: PLEASE READ THESE INSTRUCTIONS CAREFULLY. NOTE THE SAFE OPERATIONAL REQUIREMENTS, WARNINGS & CAUTIONS. USE THE PRODUCT CORRECTLY AND WITH CARE FOR THE PURPOSE FOR WHICH IT IS INTENDED. FAILURE TO DO SO MAY CAUSE DAMAGE AND/OR PERSONAL INJURY AND WILL INVALIDATE THE WARRANTY. KEEP THESE INSTRUCTIONS SAFE FOR FUTURE USE.



Refer to instruction manual



Wear protective gloves

1. SAFETY

- ❑ **WARNING!** The warnings, cautions and instructions referred to in this manual cannot cover all possible conditions and situations that may occur. It must be understood that common sense and caution are factors which cannot be built into this product, but must be applied by the operator. It is the operators responsibility to secure the load. Check with vehicle manufacturer's Manual before installing.
- ✓ Make sure the wheel of the equipment being mounted or dismantled is aligned with the chock.
- ✓ Inspect chock before each use. Check fasteners for tightness, replace any worn or damaged parts.
- ✗ **DO NOT** attempt to use a chock that is damaged in any way.
- ✗ **DO NOT** modify the chock in any way.
- ✓ Proper care and maintenance of the chock is critical to safety.
- ✓ Proper use of this product is critical to safety. Improper use may result in personal or property damage which is not covered by the warranty.

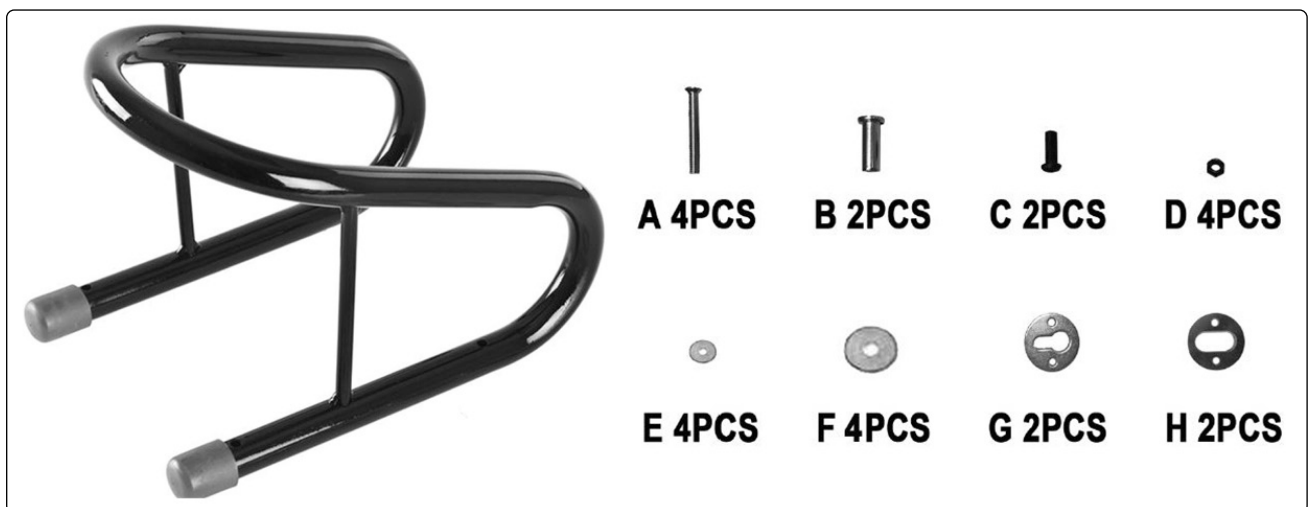
2. INTRODUCTION

Wheel chock supports the wheel of the motorcycle when in transit or storage. Made from black powder coated heavy-duty tubular steel with pre-drilled holes and fixings which allow chock to be fixed to any suitable surface. A range of three sizes is available covering maximum tyre widths of 95mm, 140mm, and 165mm.

3. SPECIFICATION

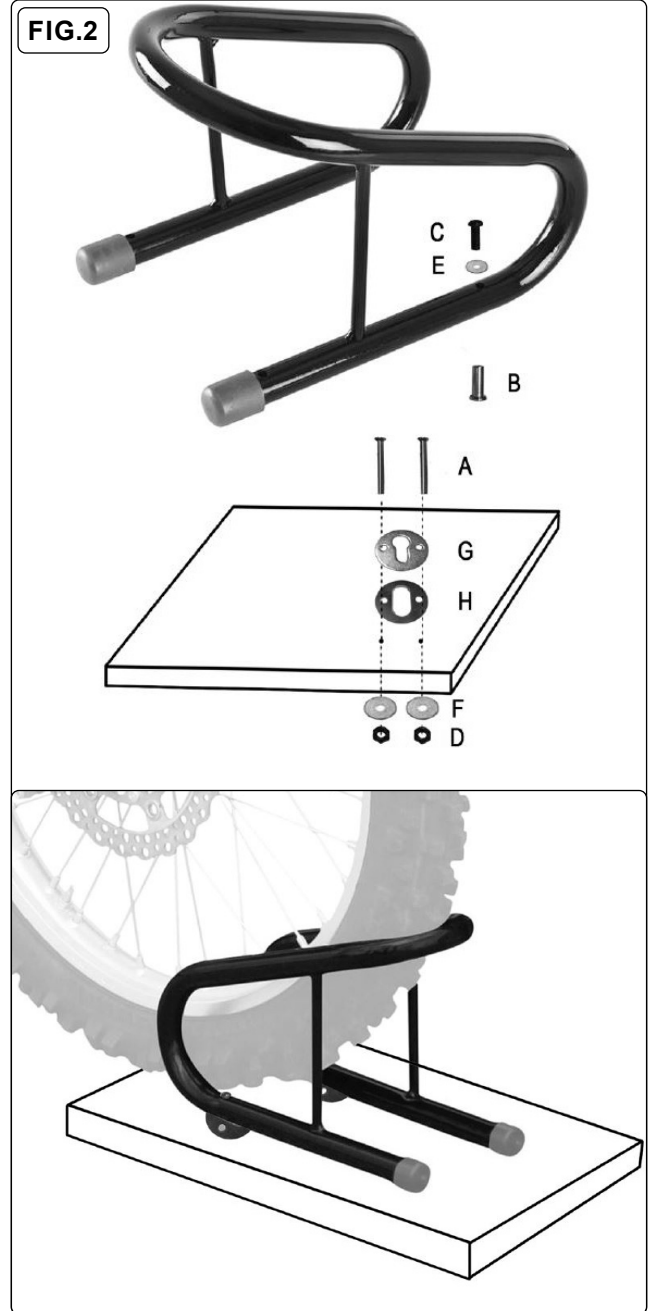
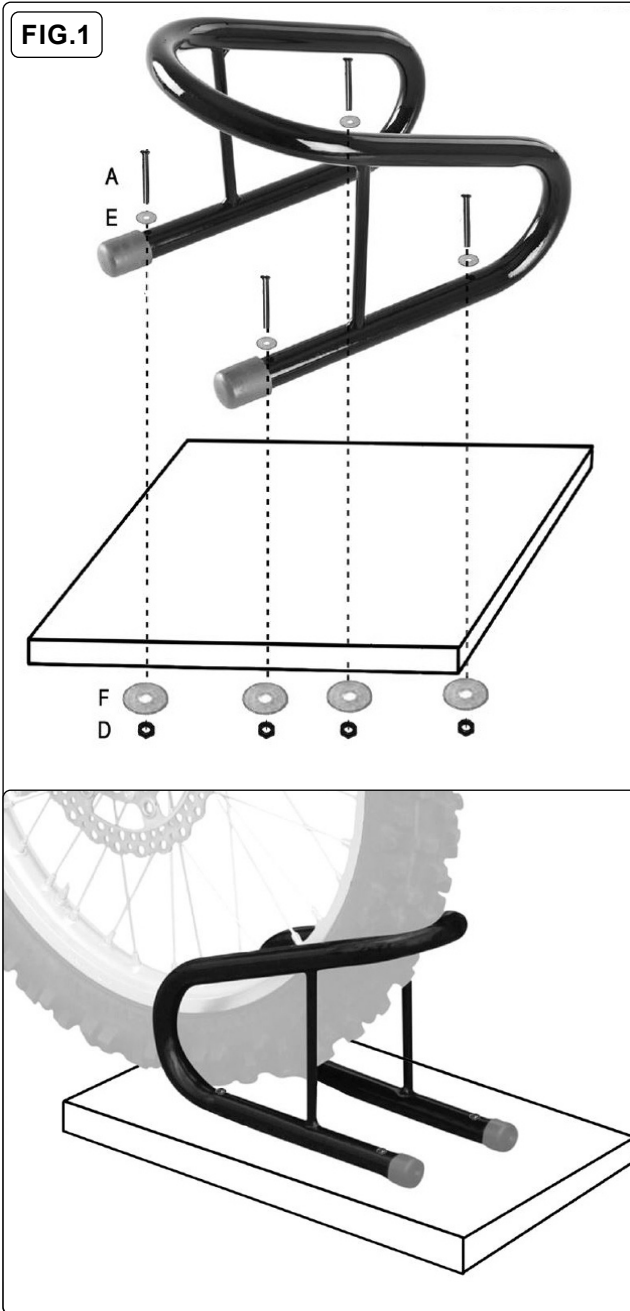
MODEL NO.	WC06.V2	WC07.V2	WC08.V2
Maximum Tyre Width	95mm	140mm	165mm

4. CONTENTS



5. ASSEMBLY

- 5.1. Refer to the parts list.
- 5.2. Assemble as per fig.1 or fig.2.



ENVIRONMENT PROTECTION

Recycle unwanted materials instead of disposing of them as waste. All tools, accessories and packaging should be sorted, taken to a recycling centre and disposed of in a manner which is compatible with the environment. When the product becomes completely unserviceable and requires disposal, drain any fluids (if applicable) into approved containers and dispose of the product and fluids according to local regulations.



Note: It is our policy to continually improve products and as such we reserve the right to alter data, specifications and component parts without prior notice. Please note that other versions of this product are available. If you require documentation for alternative versions, please email or call our technical team on technical@sealey.co.uk or 01284 757505.

Important: No Liability is accepted for incorrect use of this product.

Warranty: Guarantee is 12 months from purchase date, proof of which is required for any claim.

Sealey Group, Kempson Way, Suffolk Business Park, Bury St Edmunds, Suffolk. IP32 7AR



01284 757500



sales@sealey.co.uk



www.sealey.co.uk